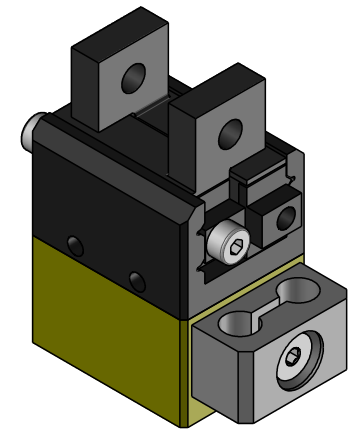
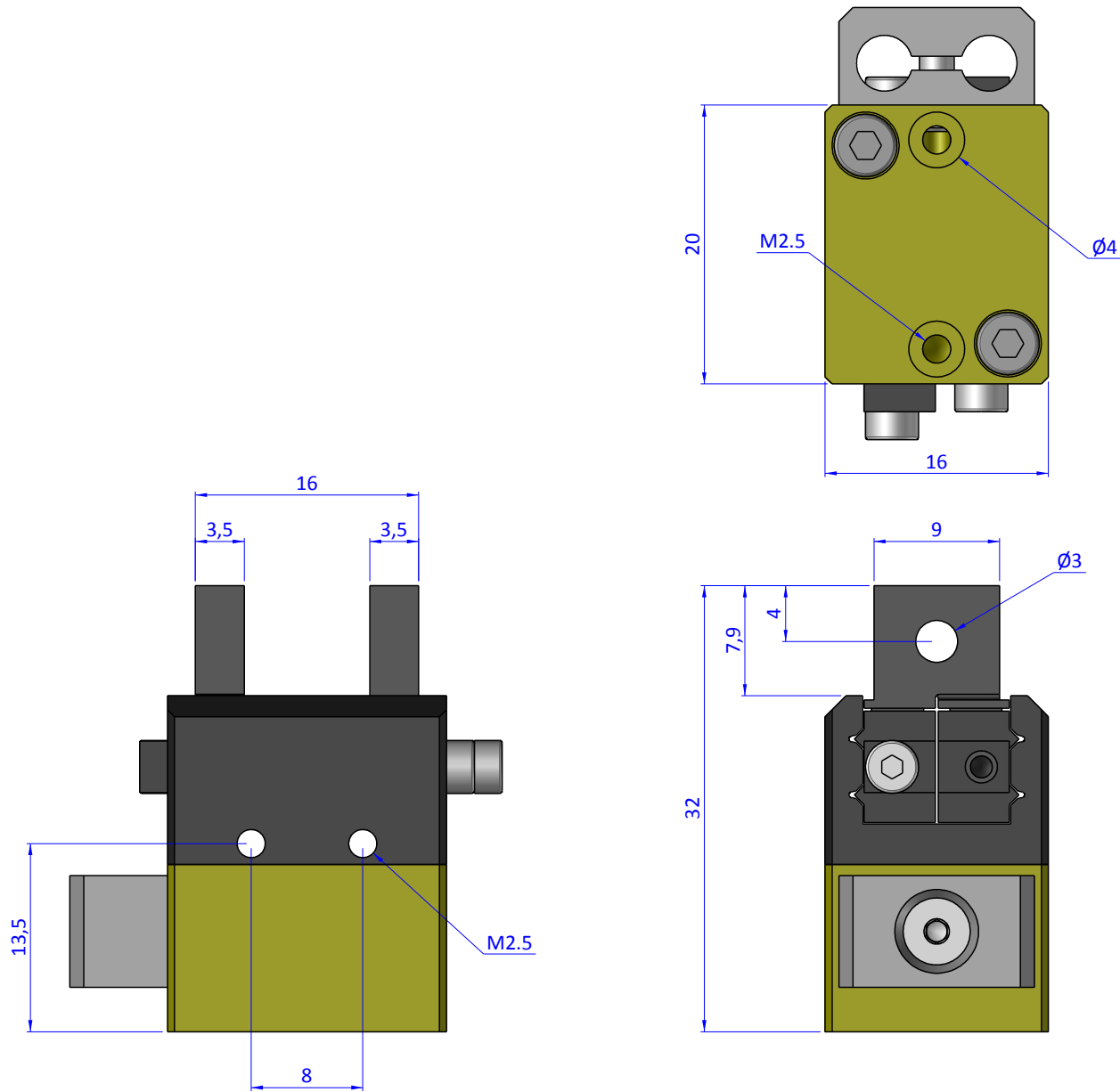



THE PROPERTY OF THE DRAWING IS ESTABLISHED BY LAW. IT IS FORBIDDEN TO PRODUCE OR SHOW IT TO THIRD PARTY, WITHOUT A WRITTEN AGREEMENT.



Format A3

UNI 936-76

|   |  |                |  |           |
|---|--|----------------|--|-----------|
| <br>FPS<br>FPSERVICES AUTOMATION |  | DESIGNED FROM  |  | REVIEW    |
|   |  | FPS Automation |  | A         |
| GENERAL TOLERANCE   |  | DATE           |  | WEIGHT    |
| UNI - ISO 2768  |  | 25/07/2019     |  |           |
| CLASSE f  |  | CODE           |  |           |
|   |  | CA.MPG.20      |  | CA.MPG.20 |